



PEAVEY[®]
ARCHITECTURAL ACOUSTICS[™]

ALM[™]-16

Electret Condenser Podium Microphone

SPECIFICATIONS

SPECIFICATIONS:

Element Type:

Electret Condenser

Polar Pattern:

Unidirectional (Cardioid)

Front-to-back Rejection:

20 dB typical

Impedance:

*Low - Approximately
500 ohms, balanced*

Frequency Response:

50 - 20,000 Hz

Sensitivity:

*Output Power Level:
-52 (0 dB = 1 mW/Pascal)*

*Open Circuit Voltage:
-67 (0 dB = 1 Volt/dyne/cm²)*

Signal to Noise Ratio:

*Approximately 64 dB re 1
Pascal*

Maximum SPL:

124 dB at 1 kHz

Power Requirements:

7-52 volt phantom

Phasing:

*Positive (inward) acoustic
pressure at diaphragm
produces positive voltage at
pin #2*

Finish:

Low gloss black

Connector:

3 pin XLR type

Weight:

5¼ oz. (149 gm)

Furnished Accessories:

*Collet mount, foam
windscreen, security clamp*

FEATURES

- Electret Condenser
- Cardioid Response
- Slender, inconspicuous styling
- Smooth, extended frequency response for natural speech and music reproduction
- Excellent feedback rejection
- Simple and versatile positioning adjustments
- Variety of mounting options
- Collet type mounting flange with mechanical isolation is provided
- Security lock provision to deter unauthorized removal from mounting
- Readily powered from any 9-52 volt phantom source

DESCRIPTION & APPLICATIONS

The ALM[™]-16 microphone offers a unique combination of features which ideally suit it to virtually any lectern, podium, rostrum or similar application.

For positioning, the flexible arm consists of a length of flexible tubing with a rigid central section. The two flexible ends permit a nearly infinite choice of microphone positions, while preserving a neat and clean appearance. In the collet mount, an additional 2½ inches of height adjustment is readily available.

The wide frequency response is subtly tailored for natural voice reproduction with optimum articulation. Off-axis rejection is carefully engineered for effective suppression of feedback and effects of reverberation.

The collet mount supplied with the ALM-16 provides much needed mechanical isolation to minimize pick-up of structure-borne noise and mechanically coupled feedback.

The simple clamping device also supplied effectively locks the microphone into the collet mount to deter theft or improper removal.

Alternatively, the ALM-16 may be directly plugged into an XLR type

receptacle, or mounted to a microphone stand or boom with a conventional microphone stand adapter.

Any phantom power source designed to supply between 9 and 52 volts will properly power the unit.

The built-in "pop" filter should prove adequate in normal lectern type applications. For extreme situations, a foam windscreen is supplied.

All of these features are combined in a clean, functional and inconspicuous design in the ALM-16 microphone, making it an appropriate and effective choice for almost any environment.

COLLET MOUNT INSTALLATION

Take out template. (Note: Use of the template is important to assure the required clearance between the output module and sides of the hole.) Locate template at desired position on lectern. (Near the upper right or left corner of the reading surface is often most practical).

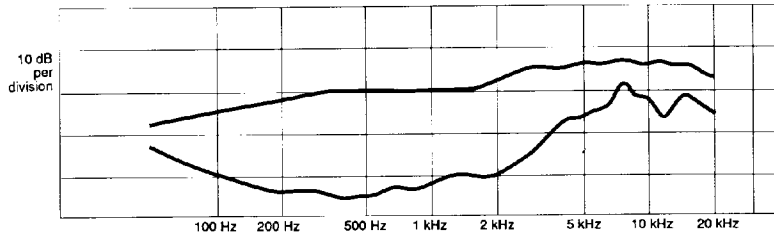
Tape template in place temporarily and mark location of center clearance hole and 3 mounting screws.

Remove template and drill 1 inch center clearance hole and 3/32 inch screw pilot holes. Attach mount to lectern surface with 3 screws supplied.

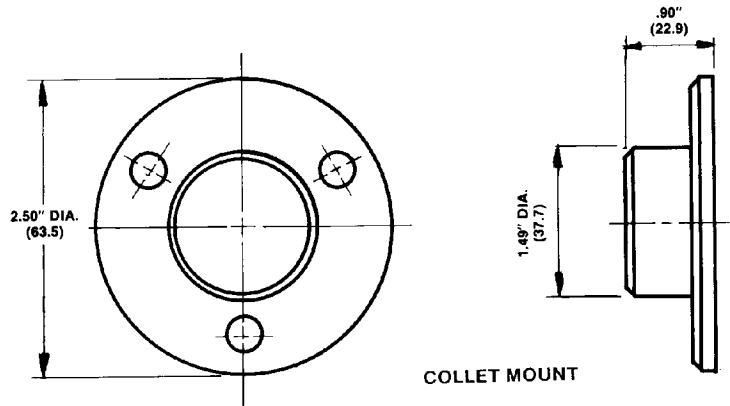
Insert connector end of microphone into top of collet mount and gently press in to desired depth. Connector end must penetrate lower suspension washer. (Caution: Do not allow output module cap to rest on collet collar top.)

Turn collet collar (knurled) to adjust tension on the suspension system - clockwise to tighten, counter clockwise to loosen. (Optimum tension is only enough to prevent the microphone from sliding downward from its own weight.)

Holding microphone to prevent it from moving up, connect microphone cable connector firmly into receptacle at output module end.



FREQUENCY RESPONSE



COLLET MOUNT

SECURITY LOCK PROVISION

After installation of the microphone into the collet mount, simply slip clamp around cable and position at connector end of the Output Module beneath the mounting surface. Engage jaws and tighten securely by squeezing with fingers or pliers.

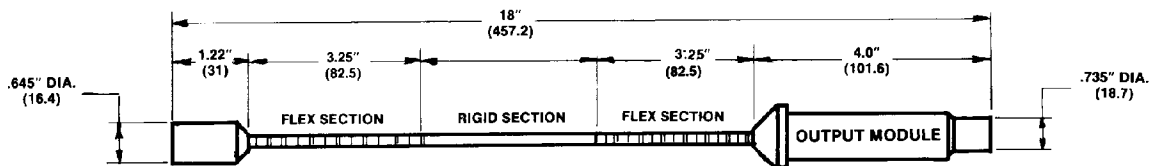
While the clamp and connector are in place, the microphone cannot be removed from the mounting -- preventing theft and protecting the shock suspension washers from damage likely if the connector is pulled through them.

To remove the microphone, disconnect the cable and remove the clamp by sliding one jaw section downward until teeth disengage.

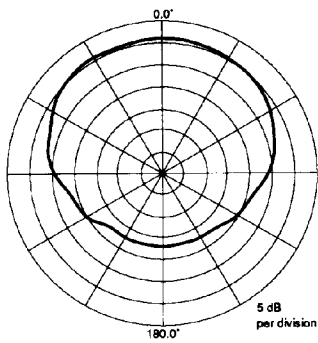
CAUTIONS

Neither the Output Module nor the security clamp should be allowed to touch the Collet Mount or the mounting surface to preserve maximum vibration isolation.

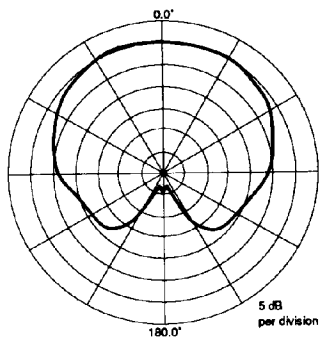
Do not attempt to bend the rigid section of the arm assembly. Sufficient adjustment should be available in the flex sections.



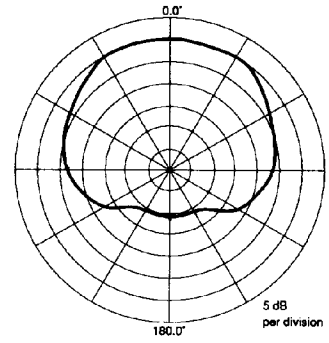
DIMENSIONS
INCHES
(MILLIMETERS)



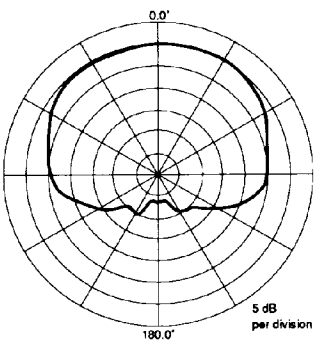
100Hz



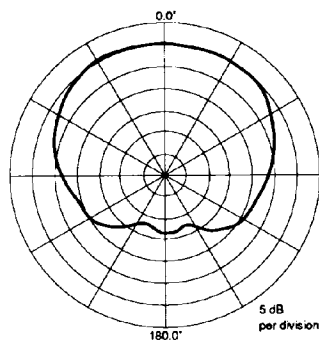
250Hz



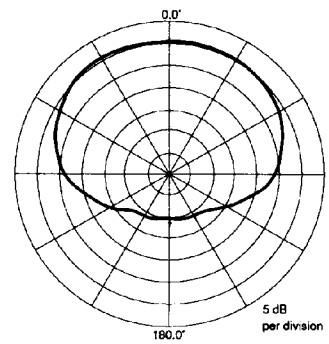
500Hz



1K

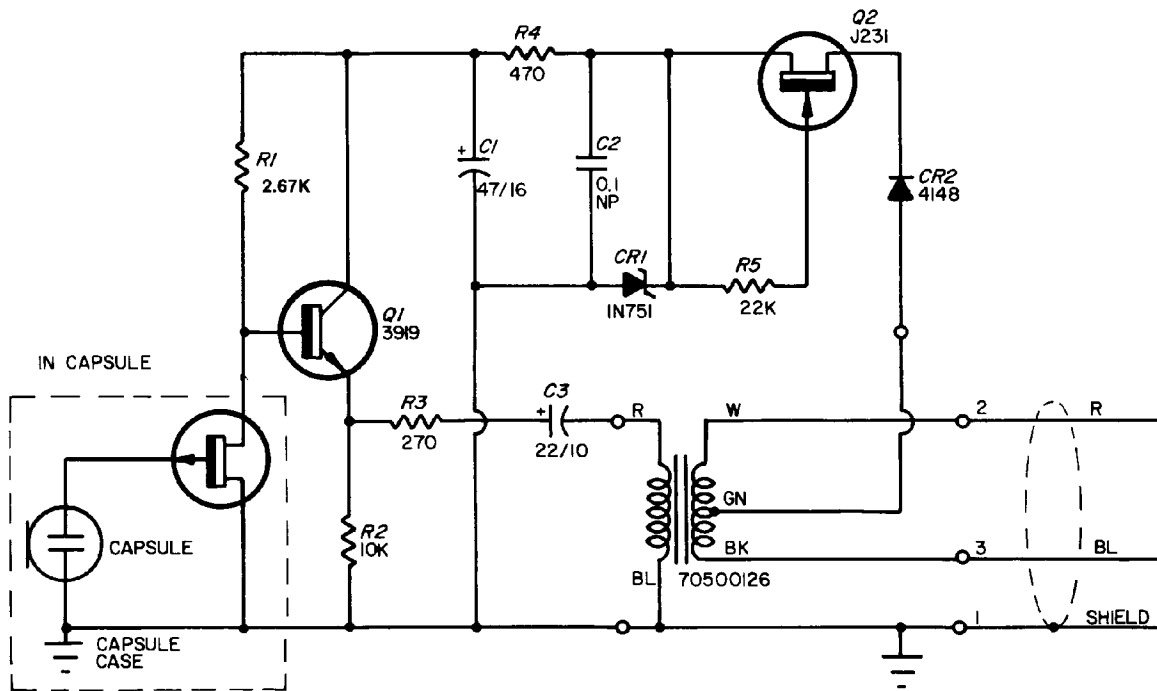


2.5K



5K

POLAR PATTERNS



NOTE: POSITIVE (INWARD) ACOUSTIC PRESSURE AT DIAPHRAGM PRODUCES POSITIVE VOLTAGE AT PIN# 2

OUTPUT MODULE HOUSING

ARCHITECTURAL & ENGINEERING SPECIFICATIONS

The microphone shall be an electret condenser type with a frequency response of 50 Hz to 20 kHz. The microphone shall have a cardioid polar response with a near response which is typically 20 dB down. The microphone shall have an output power level of -52 dBm where 0 dB = 0 dB = 1 milliwatt per Pascal, and a nominal impedance of 500 ohms.

The microphone shall have a non-reflecting, low gloss black finish. The connector shall be 3-pin XLR equivalent audio type.

The microphone head shall be .645 inches in diameter by 1.22 inches long, mounted at the end of a 13 inch long by ¼ inch diameter arm, comprised of a length of flexible tubing with a rigid center section all connected to a 4.0 inch x .780 inch diameter output module.

A collet type mounting, providing mechanical isolation from the mounting surface, shall be included. This mounting shall also provide a clamping means to serve as a security lock.

The microphone shall operate properly with any 7 to 52 volt phantom power supply.

The microphone shall be a Peavey Architectural Acoustics ALM™-16 or equivalent.

LIMITED WARRANTY

Peavey Electronics Corporation warrants to the original purchaser of this new Architectural Acoustics™ product that it is free from defects in material and workmanship. If within one (1) year from date of purchase a properly installed product proves to be defective and Peavey is notified, Peavey will repair or replace it at no charge. (Note: Batteries and patch cords not covered.) "Original purchaser" means the customer for whom the product is originally installed.

Damage resulting from improper installation, interconnection of a unit or system of another manufacturer, accident or unreasonable use, neglect or any other cause not arising from defects in material and workmanship is not covered by this warranty. The warranty is valid only as to products purchased and installed in the United States.

THIS LIMITED WARRANTY IS IN LIEU OF ANY AND ALL WARRANTIES, EXPRESS OR IMPLIED, INCLUDING THE IMPLIED WARRANTIES OF MERCHANTABILITY AND FITNESS FOR A PARTICULAR USE. UNDER NO CIRCUMSTANCES WILL PEAVEY BE LIABLE FOR ANY LOST PROFITS, LOST SAVINGS, INCIDENTAL

DAMAGES OR CONSEQUENTIAL DAMAGES ARISING OUT OF THE USE OR INABILITY TO USE THE PRODUCT, EVEN IF PEAVEY HAS BEEN ADVISED OF THE POSSIBILITY OF SUCH DAMAGE. THIS LIMITED WARRANTY IS THE ONLY EXPRESS WARRANTY ON THIS PRODUCT, AND NO OTHER STATEMENT, REPRESENTATION, WARRANTY OR AGREEMENT BY ANY PERSON SHALL BE VALID OR BINDING UPON PEAVEY.

Peavey's liability to the original purchaser for damages for any cause whatsoever and regardless of the form of action, is limited to the actual damages up to the greater of Five Hundred Dollars (\$500) or an amount equal to the purchase price of the product that caused the damage or that is the subject of or is directly related to the cause of action. This limitation of liability will not apply to claims for personal injury or damage to real property or tangible personal property allegedly caused by Peavey's negligence. For information on service under this warranty, call a Peavey customer service representative at (601) 483-5376.

PEAVEY®
ARCHITECTURAL
ACOUSTICS®



COLLET MOUNTING TEMPLATE

Instructions:

Determine exact mounting location on lectern. (Near the upper right or left corner of the reading surface is often most practical.)

Tape template in place temporarily and mark location of center clearance hole and 3 mounting screws.

Remove template and drill 1 inch center clearance hole and 3/32 inch screw pilot holes. Attach mount to lectern with 3 screws supplied.

